

**IP SURVEILLANCE CAMERA
PROFESSIONAL LEVEL HIGH SPEED IR DOME CAMERA
SURVEILLANCE SYSTEM
Item Code: OZD-MWE-IP1281IR**

Our Professional Level High Speed IR Dome Camera is suitable for small to large office surveillance applications for indoor or outdoor areas and boasts 260 meter infrared night vision coverage.

The OZD-MWE-IP1281IR Professional Level High Speed IR Dome Camera is one of the most cost effective professional level IP Dome Camera Surveillance Systems in the marketplace, combining many high quality features such as its own IP Address, GSM / GPRS / CDMA, LAN and Wireless LAN Network connectivity, in-built Web Server for real-time viewing of digital video over a network of the internet, remote viewing of video from a web browser anywhere using a PC, MAC or PDA / Mobile Phone Device, SOC Single Chip solution equipped with and AM9 and DSP Processor, RJ-45 Port, RS485 Port for Keyboard Controller, Vandal Proof, Climate Controlling IP66 Weatherproof Housing, H.264 Baseline Hardware Compression at Level 2.2, enabling High Definition Video Streaming over low Bandwidth Networks, Bi-directional Real Time Transmission of Duplex Audio Talk-Back and Broadcasting, Streaming Video up to 30fps in all Resolutions ranging up to 704 x 576, Network Self-Adapting Technology to adjust Video Frame Rate according to Network Bandwidth, Auto Network Re-connection after Network Connection Failure, SD Card Reader supporting up to a @GB SD Card enabling local storage of Periodic Snapshots and Recorded Video, support for Motion Detection Recording, up to 396 Detection Zones (22 x 18) and 100 Levels of Sensitivity, Schedule Recording, Lost Video, Sensor Alarm Functions, Built-in OSD Menu and Parameters





for Setting or Calling Auto-Preset, Scan, Auto-Cruise and AE modes and Zone Setting etc., 128 Preset

Points, 8 Point-to-Point Scan Routes, 8 Patrol Routes, 8 Privacy Masks and many more features. It is the world's smallest Outdoor IP PTZ Dome Camera that integrates 260 Meter IR LED's in its design.

Furthermore, the OZD-MWE-IP1281IR Professional Level High Speed IR Dome Camera offers 18x Optical Zoom by incorporating the SONY FCBEX480CP Zoom Module into it's design. When coupled with 12X Digital Zoom, this equates to total Zoom Range of 216X. Additionally, it offers Management Software that can administrate up to 1,728 Cameras in Groups of 36 Cameras per Group, display a maximum of 36 Camera Video Feeds on a single Display Screen, enabling Full Access Right and Password Protection Management. An optional Software Development Kit is also available to serious Security Application Developers.

The OZD-MWE-IP1281IR Professional Level High Speed IR Dome Camera, like any network devices with their own IP Addresses use existing Network IP Technology. To establish Surveillance Points in your office, the OZD-MWE-IP1281IR Professional Level High Speed IR Dome Camera can be plugged into your existing Network infrastructure. The high costs associated with traditional installation and deployment of Analog CCTV Surveillance systems, such as Coaxial Cables, Monitors and Video Records, are completely eliminated.

ZOOM Module Photograph



SONY - FCBEX480CP - 18X Zoom Module



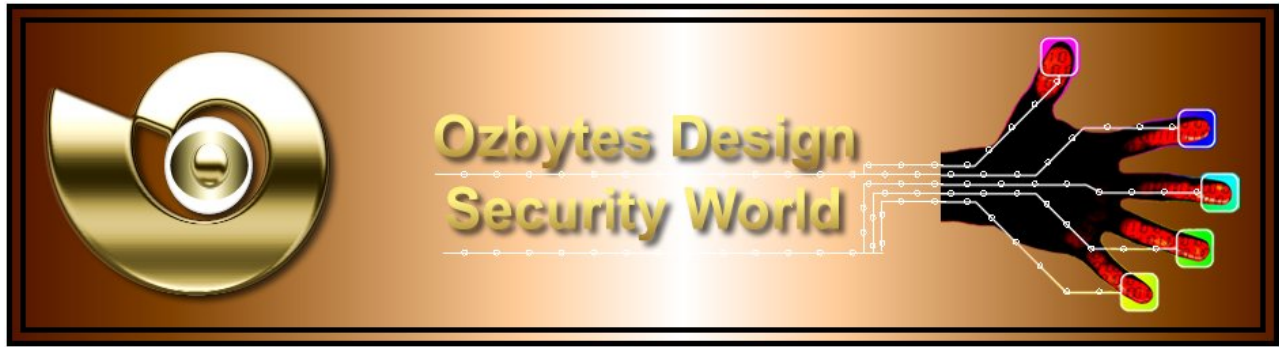
Product Highlights:

Mechanical Features

- Affordable Indoor / Outdoor Office Video Surveillance Monitoring System.
- Highly developed on-board Image Processor.
- Inbuilt Web Server and JAVA Applets.
- Support for cross-platform clients; PDA, Cellular, etc.
- Additional Camera Security is provided via 2 layers of Password Protection.
- Email Snapshot feature enables the periodic sending of images to designated email accounts.
- 128 Preset Points.
- PAN 360° Continuously, Preset speed 240° / Second.
- Manual Speed 0.1 to 100° / Second (adjustable); Scan Speed 10 to 30° / Second (adjustable).
- Proportional PAN, Preset Accuracy 0.025°.
- OSD menu, Preserves Settings if Power Fails.
- 8 Point-to-Point Scan Routes, 8 Patrol Routes, 8 Privacy Masks.
- 4 Auto Learning Plans.
- Password Protection - freezes Video to prevent unauthorised viewing.
- Pelco-P, Pelco-D and VC Protocols.
- RS485 Port for Keyboard Control.
- Built-in 260 Meter IR LED's, Car License Plate viewable at 80 to 100 Meters distance.
- Vandal Proof, Climate Controlling IP66 Weatherproof Housing.
- Surge Protection for AC & DC Power, RS485 and Networking.

IP Networking Features

- SOC Single Chip Solution, equipped with 2 Processors; ARM9 and DSP.
- Supports High Sensitivity CCD Sensor.
- H.264 Baseline Profile at Level 2.2, enables transmission of High Definition Video over Low Bandwidth Networks.
- Up to 30 Frames Per Second in all Resolutions ranging up to 704 x 576.
- Up to 10 Viewers can directly access the Camera simultaneously.
- Built-in Web Server enables the use of a standard Web Browser for Viewing and Management purposes.
- Supports Remote Software Upgrades.
- Supports Dynamic IP Address (DDNS), LAN, Internet (ADSL, PPPOE & DHCP).



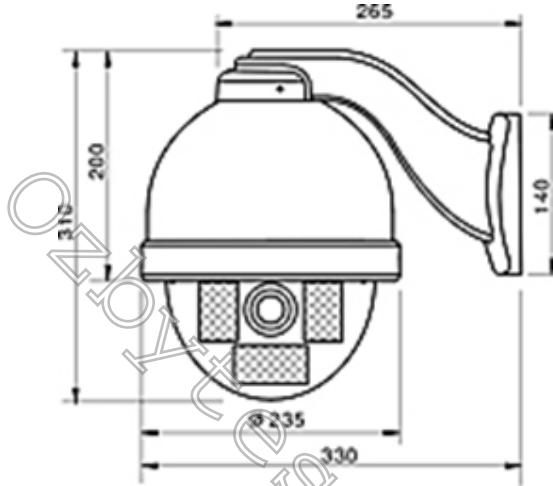
- Network Protocols: HTTP, TCP / IP, UDP, RTP, RTSP, SMTP, PPPOE, DDNS, DNS, SMTP, BOOTP, DHCP, FTP and SNMP.
- Supports Bi-directional Real Time Transmission of Duplex Audio Talk-back and Broadcasting.
- Network Self-adapting Technology to adjust Video Frame Rate automatically according to Network Bandwidth.
- Auto-recovery Function if exception occurs and Network Auto-connection if the Network Connection is dropped.
- Provide SDK and Client Demo Source Code.
- Management Software that can manage up to 1,728 Cameras in Groups of 36 Cameras per Group, display a maximum of 36 Cameras Video Feed on a single Display Screen, support Lost Video, Motion Detection and Sensor Alarm Functions, able to set 396 Detection Zones (22 x 18) and 100 Levels of Sensitivity.
- Supports Masks Function to mask Sensitive Areas.
- Supports Active and Passive Mode Access.
- Supports GSM and CDMA Networks or Private Network without Public IP Address.
- Supports SD card up to 2 GB, can store Recorded Video and Periodic Snapshots locally.
- IEEE 802.11g / b 2.4 GHz Wi-Fi with WEP 64 / 128 Bit Protection.
- User friendly IP Camera Installation Tool and Quick installation Guide included.
- Can be readily integrated with Viewer Software to send real-time images to Mobile Phones.
- Ultra energy saving green product.
- Vandal Proof, Climate Controlling IP66 Weatherproof Housing.
- World's smallest Outdoor IP PTZ Dome Camera that integrates 260 Meter IR LED's in its design.
- 18x Optical Zoom and 12X Digital Zoom, this equates to a total Zoom Range of 216X.



Market Applications

Due to the high quality features and affordable cost of OZD-MWE-IP1281IR Professional Level High Speed IR Dome Camera, business applications can be implemented and integrated with it for the following applications:

- ISP / GPRS / CDMA / 3G Promotional Bundles.
- VOIP Telephone links to Video Phones.
- Live Video Streams embedded into Web Pages.
- Online Advertisements.
- Remote PDA / Mobile Phone Video Monitoring.
- Remote Control / Vehicle Control / Chain Store Control / Advertising / Traffic Alerts.
- Baby / Elderly / Disabled Person Monitoring.
- Professional Company Security.



Technical Specifications

Compression	Audio: G.726; Video: H.264 Baseline.
Audio / Video	Bi-directional Real-Time Duplex Audio and Broadcasting, PAL: 440K / NTSC: 380K Pixels.
Frame Rate	PAL: 25fps, @704 x 576, NTSC 30fps @704 x 480.
Bit Rate	CBR / VBR Adjustable.
Network Interface	1RJ-45, 10 / 100 M Auto-negotiation.; RS485 for Keyboard Control.
Network Protocol	TCP / IP, UDP / IP, RTP, RTSP, SMTP, DDNS, ADSL, DNS, HTTP, ICMP, BOOTP, PPPOE, DHCP, FCP and SNMP.
IE Application	Built-in Web Server, IE Browser, Image Control.
DVR Client	1 - 36 Split Screen Monitor / Recording / Log Files / eMap / Talk Back.
DVR Server	1,728 Camera Management in Groups of 36 Cameras each, display a maximum of 36 Cameras Video Feed on a single Display Screen, support Lost Video, Motion Detection and Sensor Alarm Functions, able to set 396 Detection Zones (22 x 18) and 100 Levels of Sensitivity.
User Management	Supports 10 Users simultaneously and enables Access Rights Management.
Zoom Module	SONY FCBEX480CP.
Sensor	1/4" CCD.
Resolution	480 TV Lines.
S / N	> 50 dB.



Technical Specifications continued

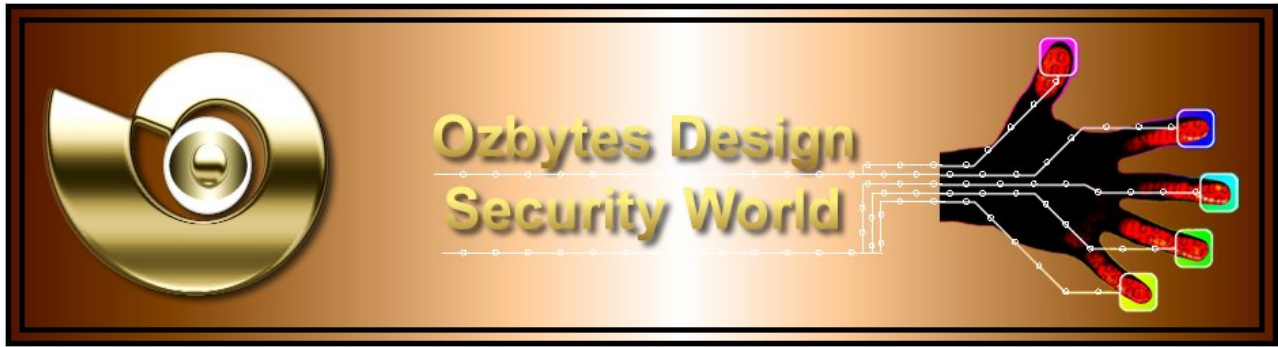
Zoom Ratio	18X Optical (12X Digital).
Focal Length	f = 4.1 - 73.8 mm.
IRIS	F1.4 to F3.0.
Viewing Angle (H)	48.0° (Wide end) to 2.8° (Telephoto end).
Minimum Working Distance	290 mm (Wide end) 800 mm (Telephoto end).
Minimum Illumination	0.7 Lux Typ. (F1.4, 50 IRE).
ICR	Yes
Day / Night	260 Meter IR LED's.
Electronic Shutter	1 / 1 to 1 / 10,000 s, 22 Steps.
Focusing System	Auto Sensitivity: Normal / Low; Manual: Zoom Trigger AF.
White Balance	Auto, ATW, Indoor, Outdoor, One-Push, Manual.
Backlight Compensation	ON/OFF.
AE Control	Auto, Manual.
EV Compensation	-10.5 to +10.5 dB (1.5 dB Steps).
Gain	Auto/Manual (-3 to 28 dB, 2 dB steps).
BLC	On / Off / Adjustable.
IR LEDS	60 IR LED's / Auto turn on at 5 Lux / 260 Meter Night Vision.
Presets	128 Preset Points.
Rotation	Pan 360° Continuous; Tilt 90° - Preset Speed 240 ° / Second; Manual Speed: 0.1 to 100 ° / Second (adjustable); Scan Speed: 10 to 30 ° / Second (adjustable).
Chip Set / Processor	SOC Single Chip Solution / ARM9 and DSP Processor.
Routes	8 Point-to-Point Scan Routes; 8 Patrol Routes; 8 Privacy Masks; 4 Auto Learning Plans.
Security	Password Protect – Freezes Video to ensure no unauthorised Video Viewing is allowed.
PTZ Protocols	Pelco-P, Pelco-D and VC.
Alarm	1 In / 1 Out.
Blower / Heater	Yes.
Operating Temperature	-20 to +50° C.
Weatherproofing	IP66 Standard.
Firmware Upgrades	Supports Remote Software Upgrade.
Technology	Self-adapting Network Technology with automatic Video Frame Rate adjustment to suit available Network Bandwidth.
Recovery Technology	Auto-recovery on Exception Error; Auto Network Re-connection on Network Connection Loss.



Technical Specifications continued

Mask Technology	Supports Mask Function to Mask Sensitive Areas.
Wireless Networking	IEEE 802.11 b / g 2.4 GHz Wi-Fi with WEP 64 / 128 Bit Encryption Protection.
Networking	Supports GSM / CDMA, LAN, WAN or Private Network without a Public IP Address.
Interface	SD Card Reader – Supports up to a 2 GB SD Card.
Access	Active and Passive Mode Access Support.
Motion Detection	Supports up to 396 Detection Zones (22 x 18) and 100 Levels of Sensitivity.
Power Supply	110 to 240V AC; Input 12V DC, 5 A.
Power Consumption	15 W.
Power Protection	Surge Protection for AC / DC Power, RS485 and Networks.
Unit Dimensions	235mm (Ø) x 310mm (H).





Accessories and Optional Extras

- DVR Client Digital Surveillance Software for Monitoring / Recording 1 - 36 OZD-MWE-IP1281IR Professional Level High Speed IR Dome Camera Series Cameras in Split-Screen Mode.
- Optional JAVA Applets for embedding Live Video into Web pages / Remote viewing by PDA / Mobile Phones.
- DVR Server Digital Surveillance Software for Monitoring / Recording up to 1,728 Camera's in Groups of 36 Cameras each, displaying a maximum of 36 Cameras Video Feed on a single Display Screen.



Your OZD-MWE-IP1281IR Professional Level High Speed IR Dome Camera has been manufactured and quality assurance tested to CE and ISO9001 Standards.

Your OZD-MWE-IP1281IR Professional Level High Speed IR Dome Camera comes with a full 12 month return-to-base Warranty. Any faulty products will be immediately replaced with a new OZD-MWE-IP1281IR Professional Level High Speed IR Dome Camera.

For all Customer Care issues, contact your Local Reseller in the first instance, or the Australian / International Distributors whose contact details appear below:

Your local reseller is:



Manufacturer's Agent / Australian and International Distributor:

Business Name:	Ozbytes Design
A.B.N.:	24 200 625 187
Postal Address:	G.P.O. Box 2224, Melbourne G.P.O., Victoria, 3001, 0422 170153 (Within Australia) +61 422 170153 (Internationally)
Mobile:	
Website URL:	http://www.ozbytesdesign.com
Email Addresses:	info@ozbytesdesign.com customer_care@ozbytesdesign.com support@ozbytesdesign.com

